

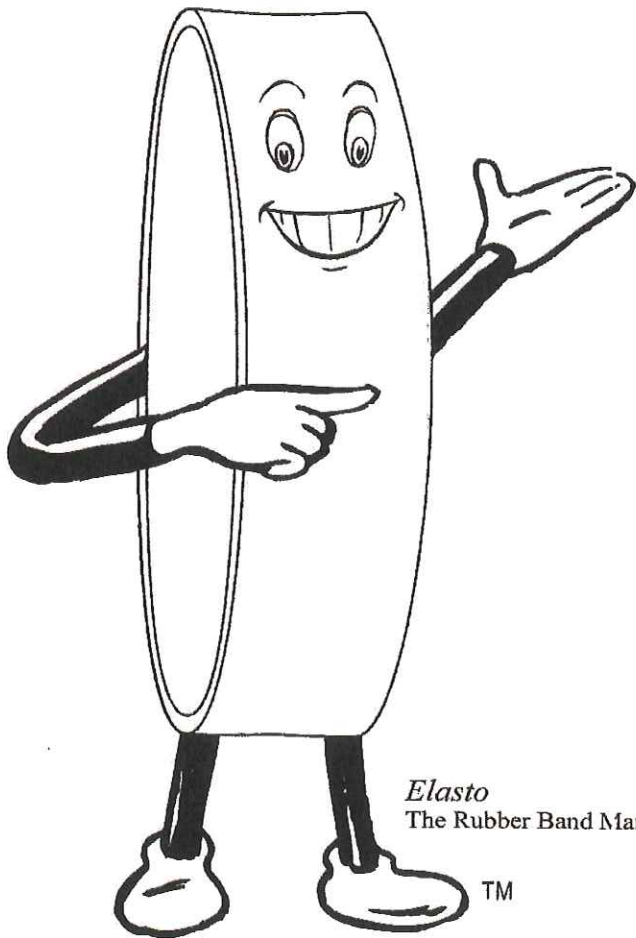
888-770-8530

## Henrich Industrial Rubber Bands

2012 Price Guide and Product Descriptions

(pricing is subject to change please call/email for current pricing)

[sales@rubberdevelopment.com](mailto:sales@rubberdevelopment.com)



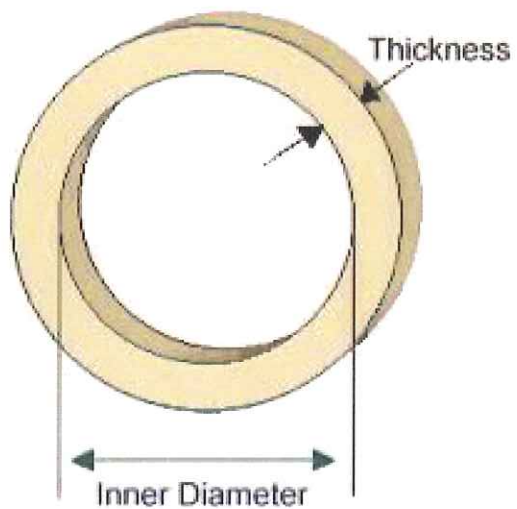
*Elasto*  
The Rubber Band Man

TM

**Elasto says, "When you want to be sure- use a Henrich product!"**



## Reading our dimensions:



HB1, HB2, HB 3 Lay Flat length measured from outer edges of compressed band

## Table of Contents

<u>Product:</u>	<u>Page:</u>
Anchor Bands	4-5
*made in Malaysia	
Hinge Bumpers	6-7
Plastic Hinge Protector	7
Bundling Bands	8-9
Push-n-Lock	10-11
Door Plug	

\*\* Products made in China unless otherwise noted.

## Anchor Bands

Anchor Bands offer a **“SET & FORGET”** approach to plant training in the nursery!

They **DON'T NEED TO BE ADJUSTED** because they are highly elastic and expand as the plant grows. Anchor Bands **SAVE TIME & LABOR** at almost half the cost of its competition.

Anchor Bands are **GENTLE** on plants yet provide an **EXCELLENT GRIP!**

Anchor Bands **“BREAK DOWN”** after 12-18 months depending on UV exposure. This **SAFEGUARD** prevents the plant from out growing the stretching ability of the band.

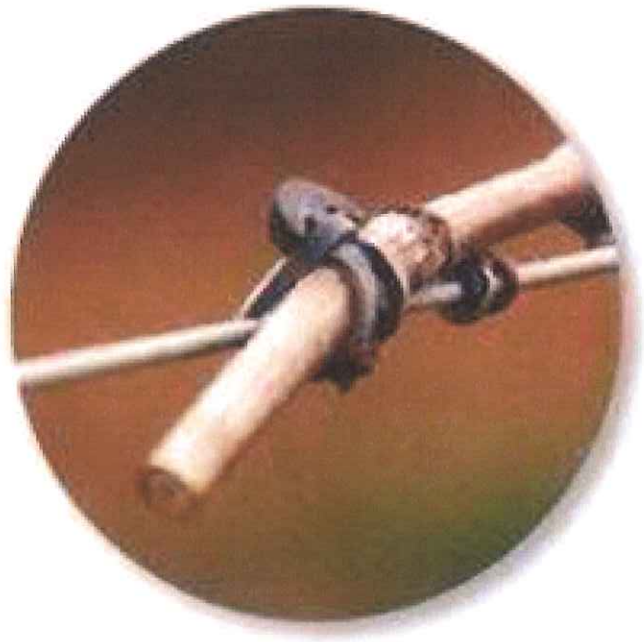
This innovative biodegradable rubber tie overcomes the familiar problems of trellis and stake grown plants secured by permanent ties. Anchor Bands offer **ALL THE BENEFITS** of conventional ties **WITHOUT THE DRAWBACKS!**



To Order Call: 1-888-770-8530

# Price List

**Price: \$6.00/lb**  
**Minimum**  
**5lbs per size**



Size	LFL	Width	Thickness	Pieces/#	Pkg increments <sup>1</sup>
11	40	3.5	1.5	497	5lbs
17	70	3	1.5	381	5lbs
182	80	3	1.5	359	5lbs
20	100	3	1.5	289	5lbs

Dimensions are measured in millimeters

\*Made in Malaysia



### HB-1 Hinge Bumper

Dimensions:  
1.25x.065x3

1325pc/carton

1-9 cartons .12/pc

10-20 cartons .11/pc



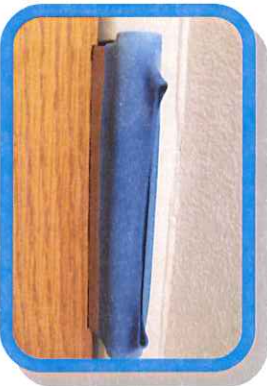
### HB-2 Hinge Bumper

Dimensions:  
1.25x.045x2.75

2050pc/carton

1-9 cartons .075/pc

10-20 cartons .068/pc



### HB-3 Hinge Bumper

Dimensions:  
1.25x.037x2.75

2500pc/carton

1-9 cartons .065/pc

10-20 cartons .056/pc

**Applies easily in three steps or less:  
Set. . .Stretch. . . release!**

**Provides protection for the hinge, door and frame!**

**Will NOT stain wood, metal or plastic!**

To Order Call: 1-888-770-8530



## Printed Hinge Bumpers

All Hinge Bumpers are available in an assortment of colors:  
Orange, Green, Red, Blue and Yellow!

Item: Approx. pieces/ Carton	HB-1 1325	HB-2 2050	HB-3 2500
Dimensions:	1.25 X .065 X 3	1.25 X .045 X 2.75	1.25 X .037 X 2.75
Availability	12-18 weeks	12-18 weeks	12-18 weeks
Minimum Order	600lbs (24 Cartons)	600lbs (24 Cartons)	600lbs (24 Cartons)
Pricing:	Dependent on Imprinting	Dependent on Imprinting	Dependent on Imprinting

\*Call or email for current pricing and lead time!

\*\*Email imprinting preferences to [sales@rubberdevelopment.com](mailto:sales@rubberdevelopment.com)

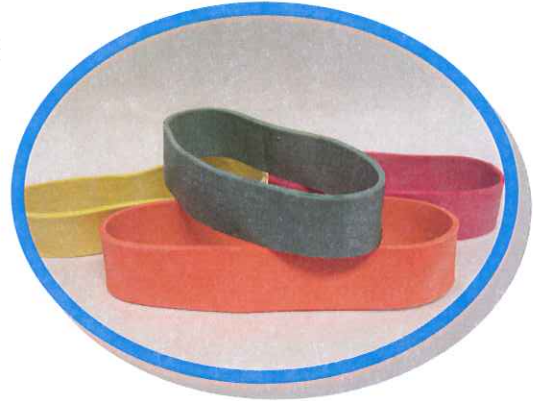
# Plastic Hinge Protector

Cost: .05/piece  
Quantities of 250  
PN: HRC-PHP-101



## Bundling Bands-

Available in three different grades and a choice of colors. Our bands are cut resistant, provide a cushion ride and will hold your products in place during transit.



Minimum order: 1 case

Item:	HA-3	HA-4	HA-5
Approx. pieces/ Case	2875	1750	1125
Dimensions:	80 X 16 X 1.65	100 X 19 X 1.65	120 X 19 X 1.65
Price Per Piece	\$0.06	\$0.090	\$0.14

*Applies easily by hand or machine*

*Saves time & labor*

*Low in cost*

*Reusable*

*Holds for a year without leaving indentations, residue or stains.*

*Use on wood, plastic or metal!*

## Push-n- Lock Door Plug

Our “Standard” door plug is easier and quicker to install than those offered by our competitors!

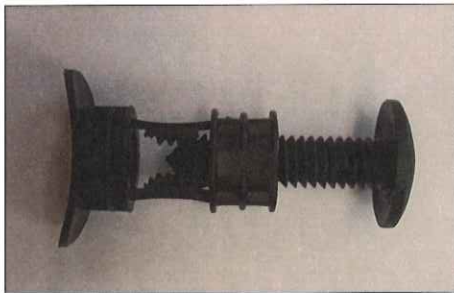
**Step One:**

Insert the door plug through the face bore and into the edge bore until secure.

**Step Two:**

Push in bolt until it locks into place. (You can give it a turn or two with a screwdriver to adjust the fit if needed)

**AND THAT’S IT!** Our standard door plug ensures your product will be transported without incident and its installation is fast and easy.

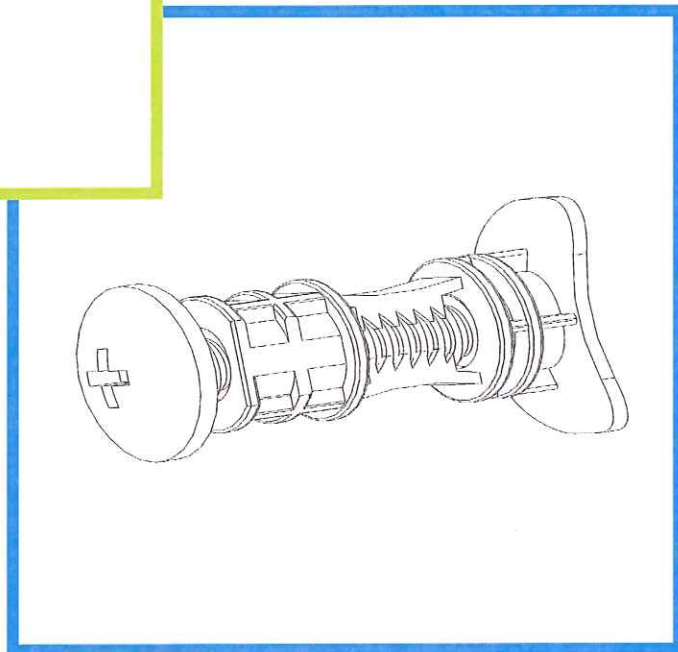
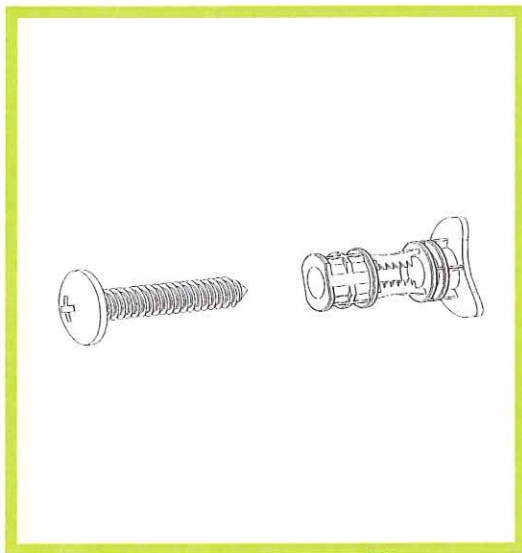


Part Number/ Description:	Cost /500 Pieces	Cost/1000 pieces
HRC-PNL-S Screw	\$0.11	\$0.09
HRC-PNL-R Receptacle	\$0.15	\$0.12

To Order Call: 1-888-770-8530

## Features and Benefits:

- Eliminates damage to doors and jambs
- Installs in seconds
- Saves time
- Saves money
- Shows misalignments before the product leaves the shop
- Acts as an alignment guide during installation
- Reusable
- Recyclable
- Easily removes with the twist of a screwdriver
- The best way to handle and ship pre-hung door units!



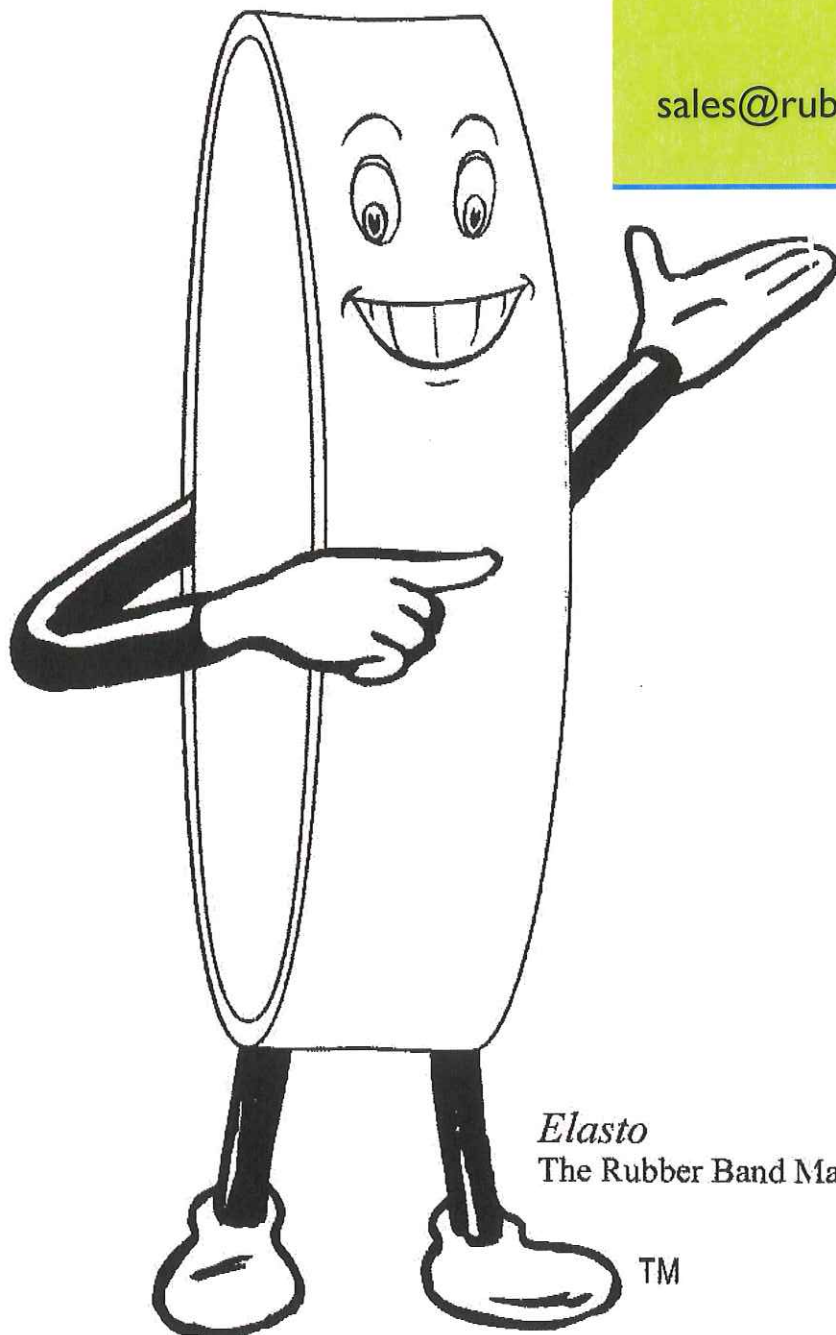
## HENRICH INDUSTRIAL RUBBER BANDS

701 Technology Pl  
Waverly, IA 50677

Phone: 888-770-8530

Fax: 319-352-5601

[sales@rubberdevelopment.com](mailto:sales@rubberdevelopment.com)



*Elasto*  
The Rubber Band Man

TM

---